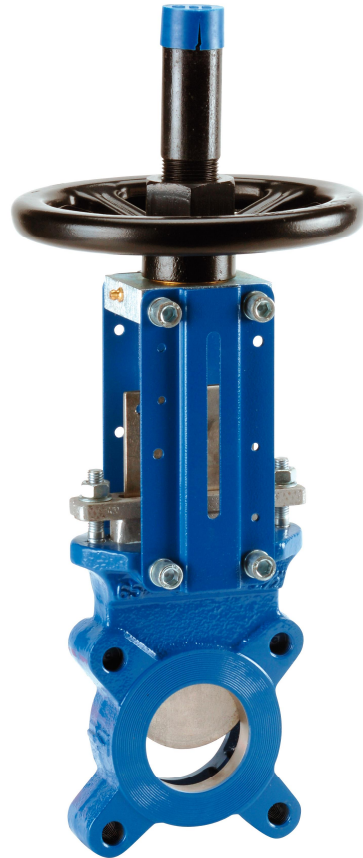
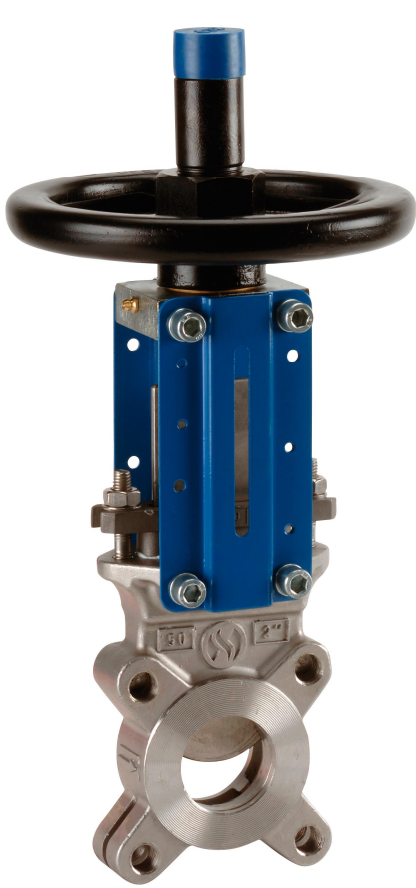


PN10



| | | | | | | |
|---|---|---------|----------|---|---|----|
| . | : | DN 50 | DN 800 | | | |
| . | : | | ISO PN10 | | | |
| . | : | -10°C | | | - | (- |
| . | : | 15°C | |) | - | |
| . | : | + 90°C | |) | - | |
| . | : | (+110°C | |) | - | |
| . | : | 10 | DN 200 | | , | |
| . | : | | | | | |
| . | : | | | | | |

PN10

_____ :



-
-

ISO PN10
Ref. 170 DN 50 DN 800

304,

ISO PN10
Ref. 171 DN 50 DN 800

304,



-

ISO PN10, CF8M
Ref. 172 DN 50 DN 600

316,



-

ISO PN10

Ref. 170101 170801 DN 100 DN 800

304,



-

+

Ref. 9801351 9801352 DN 50 DN 300



-

Ref. 9801350 DN 50 DN 700



-

Ref. 980179 DN 50 DN 600



-

(1 . . .) Ref. 9801795

PN10

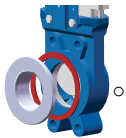
()



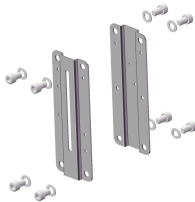
- Ref. **980178** DN 50 DN 300



- ASTM A351 CF8M Ref. **9801800** **9801813** DN 50 DN 600



- **9801837** DN 50 DN 600 ASTM A351 CF8M () Ref. **9801820**



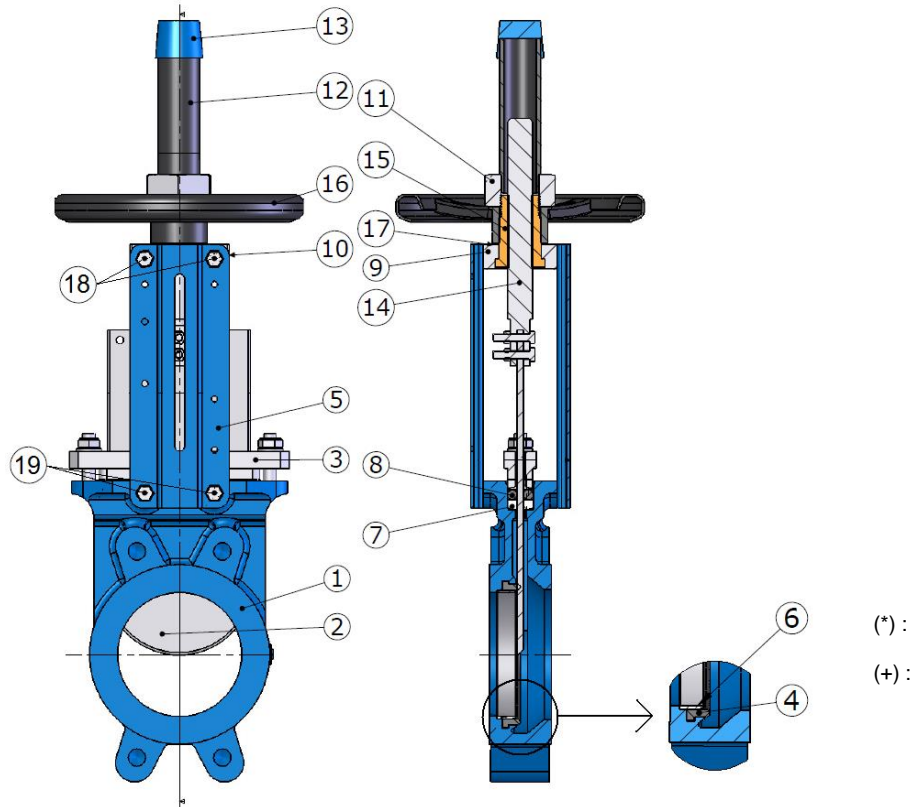
- Ref. **9802221** **9802231** DN 50 DN 400



- () Ref. **9802201** **9802213** DN 50 DN 500

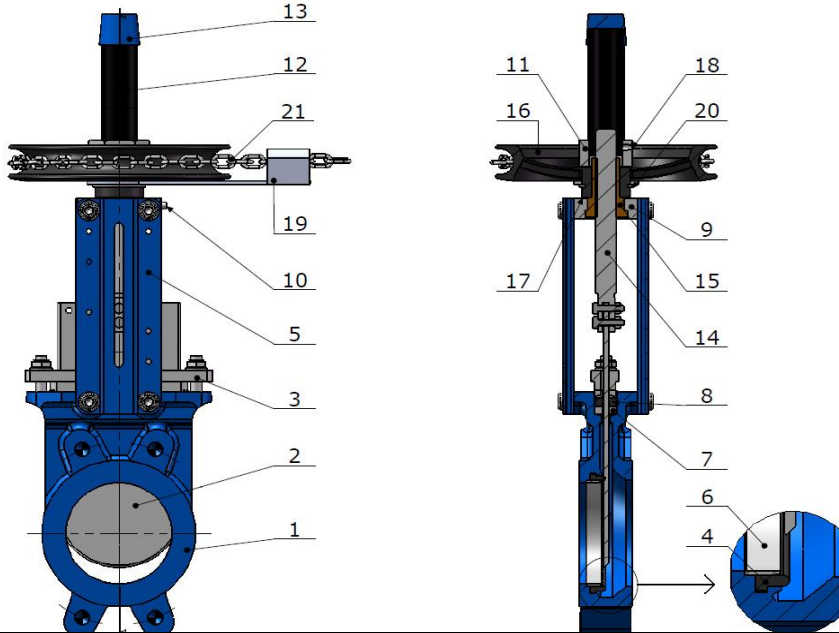
PN10

(REF. 170, 171, 172):



| | | . 170 | . 171 | . 172 |
|------|---------------|------------------|------------------|----------------|
| 1 | | EN GJL-250 | EN GJL-250 | ASTM A351 CF8M |
| 2 | | .303 | .303 | .303 |
| 3 | DN50 . DN 200 | | | ASTM A351 CF8M |
| 3 | DN 250 . 700 | EN GJS-400-15 | EN GJS-400-15 | ASTM A351 CF8M |
| 4(*) | | | | |
| 5 | | | | |
| 6(*) | | .303 | .303 | .303 |
| 7(+) | | | | |
| 8(+) | | | - | - |
| 9 | | | | |
| 10 | | | | |
| 11 | | | | |
| 12 | | | | |
| 13 | | | | |
| 14 | | .303 | .303 | .303 |
| 15 | | | | |
| 16 | | | | |
| 17 | | | | |
| 18 | | | | |
| 19 | | | | |

PN10

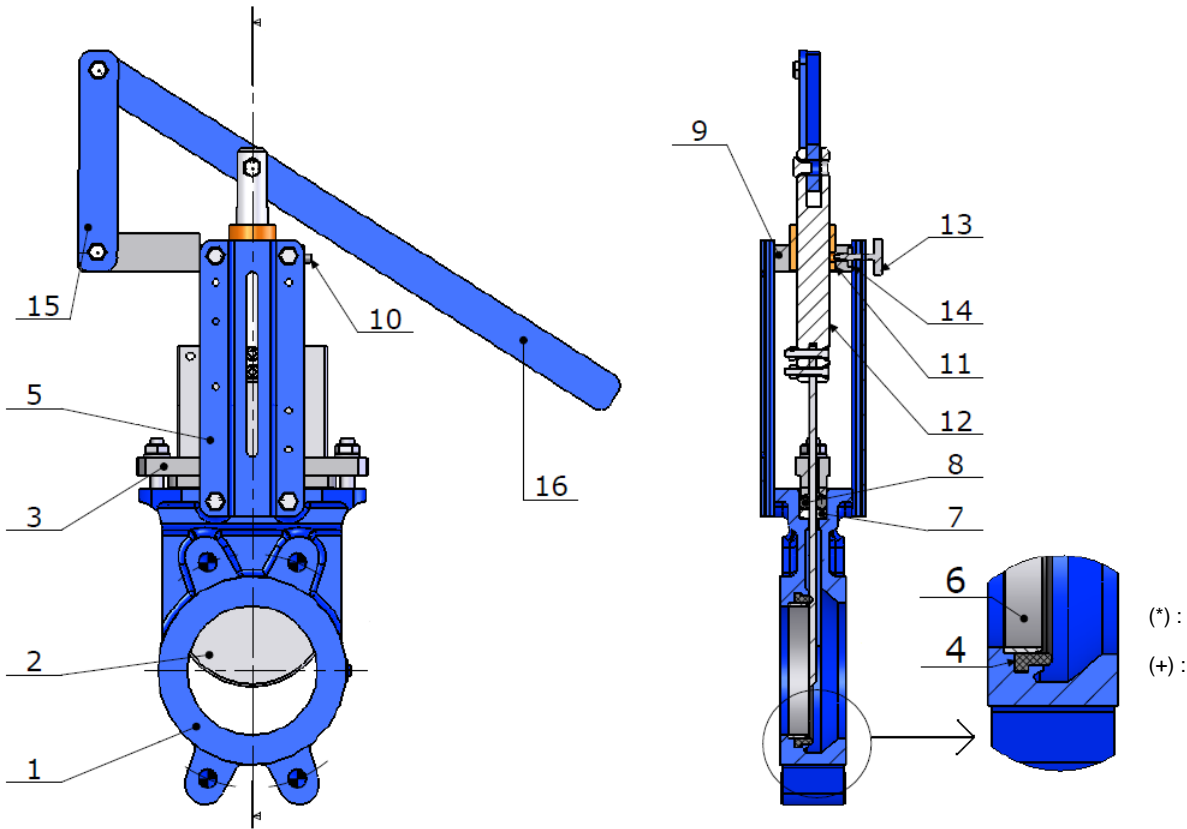


(*) :

(+) :

| | | 980179 . 170 + | 980179 . 171 + | 980179 . 172 + |
|------|---------------|------------------|------------------|----------------|
| 1 | | EN GJL-250 | EN GJL-250 | ASTM A351 CF8M |
| 2 | | 304 | 304 | 316 |
| 3 | DN50 . DN 200 | | | ASTM A351 CF8M |
| 3 | DN 250 . 700 | EN GJS-400-15 | EN GJS-400-15 | ASTM A351 CF8M |
| 4(*) | | | - | - |
| 5 | | | | |
| 6(*) | | 304 | 304 | 316 |
| 7(+) | | | | |
| 8(+) | | | - | - |
| 9 | | | | |
| 10 | | | | |
| 11 | | | | |
| 12 | | | | |
| 13 | | | | |
| 14 | | 303 | 303 | 303 |
| 15 | | | | |
| 16 | | | | |
| 17 | | | | |
| 18 | | 304 | 304 | 304 |
| 19 | | | | |
| 20 | | | | |
| 21 | | | | |

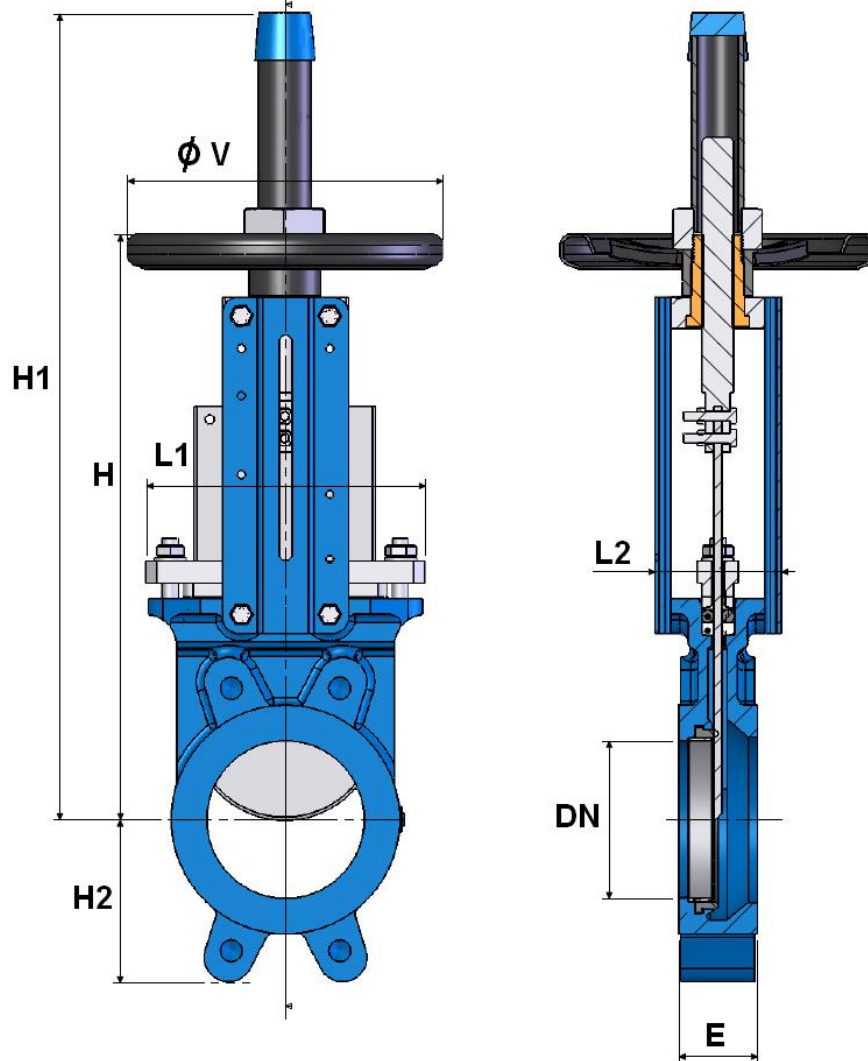
PN10



| | | . 170 + 980178 | . 171 + 980178 | Materials . 172 + 980178 |
|------|---------------|----------------|----------------|--------------------------|
| 1 | | EN GJL-250 | EN GJL-250 | ASTM A351 CF8M |
| 2 | | 304 | 304 | 316 |
| 3 | DN50 . DN 200 | | | ASTM A351 CF8M |
| 3 | DN 250 . 700 | EN GJS-400-15 | EN GJS-400-15 | ASTM A351 CF8M |
| 4(*) | | | - | - |
| 5 | | | | |
| 6(*) | | 304 | 304 | 316 |
| 7(+) | | | | |
| 8(+) | | | - | - |
| 9 | | | | |
| 10 | | | | |
| 11 | | | | |
| 12 | | 303 | 303 | 303 |
| 13 | | | | |
| 14 | | | | |
| 15 | | | | |
| 16 | | | | |

PN10

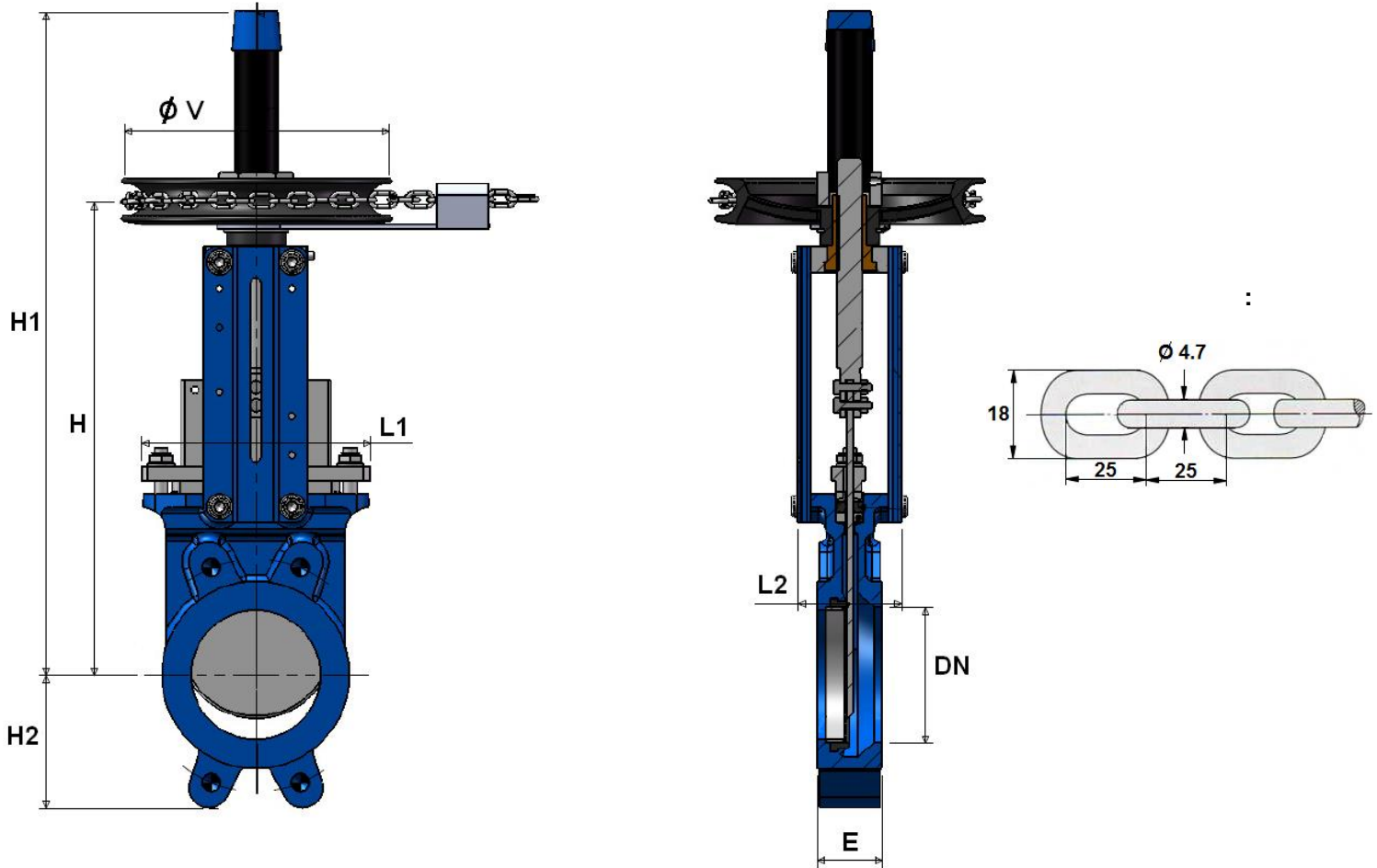
REF.170-171-172 ():



| DN | 50 | 65 | 80 | 100 | 125 | 150 | 200 | 250 | 300 | 350 | 400 | 450 | 500 | 600 | 700 | 800 |
|----------------------|------|------|------|-------|------|-------|------|------|------|------|------|------|------|------|------|------|
| E | 40 | 40 | 50 | 50 | 50 | 60 | 60 | 70 | 70 | 96 | 100 | 106 | 110 | 110 | 110 | 110 |
| H | 289 | 316 | 342 | 382 | 415 | 458 | 575 | 676 | 776 | 906 | 1012 | 1098 | 1210 | 1416 | 1611 | 1870 |
| H1 | 409 | 436 | 462 | 502 | 585 | 637 | 815 | 1016 | 1116 | 1336 | 1442 | 1628 | 1740 | 2046 | 2461 | 2820 |
| H2 | 63 | 70 | 92 | 105 | 120 | 130 | 160 | 198 | 234 | 256 | 292 | 308 | 340 | 400 | 452 | 505 |
| L1 | 124 | 139 | 154 | 174 | 192 | 217 | 270 | 326 | 380 | 438 | 493 | 546 | 620 | 714 | 830 | 970 |
| L2 | 92 | 92 | 92 | 92 | 102 | 102 | 119 | 119 | 119 | 290 | 290 | 290 | 290 | 290 | 320 | 320 |
| Ø V | 200 | 200 | 200 | 200 | 250 | 250 | 300 | 300 | 300 | 500 | 500 | 500 | 500 | 500 | 800 | 800 |
| . Ref.170 171 () | 6.53 | 7.1 | 8.53 | 9.8 | 12.7 | 16.16 | 26.8 | 43.5 | 57.5 | 108 | 132 | 170 | 210 | 298 | 446 | 524 |
| . Ref.172() | 6.52 | 7.81 | 8.48 | 10.06 | 12.7 | 15.8 | 27.8 | 44.6 | 58.6 | 110 | 150 | 170 | 210 | 298 | - | - |

PN10

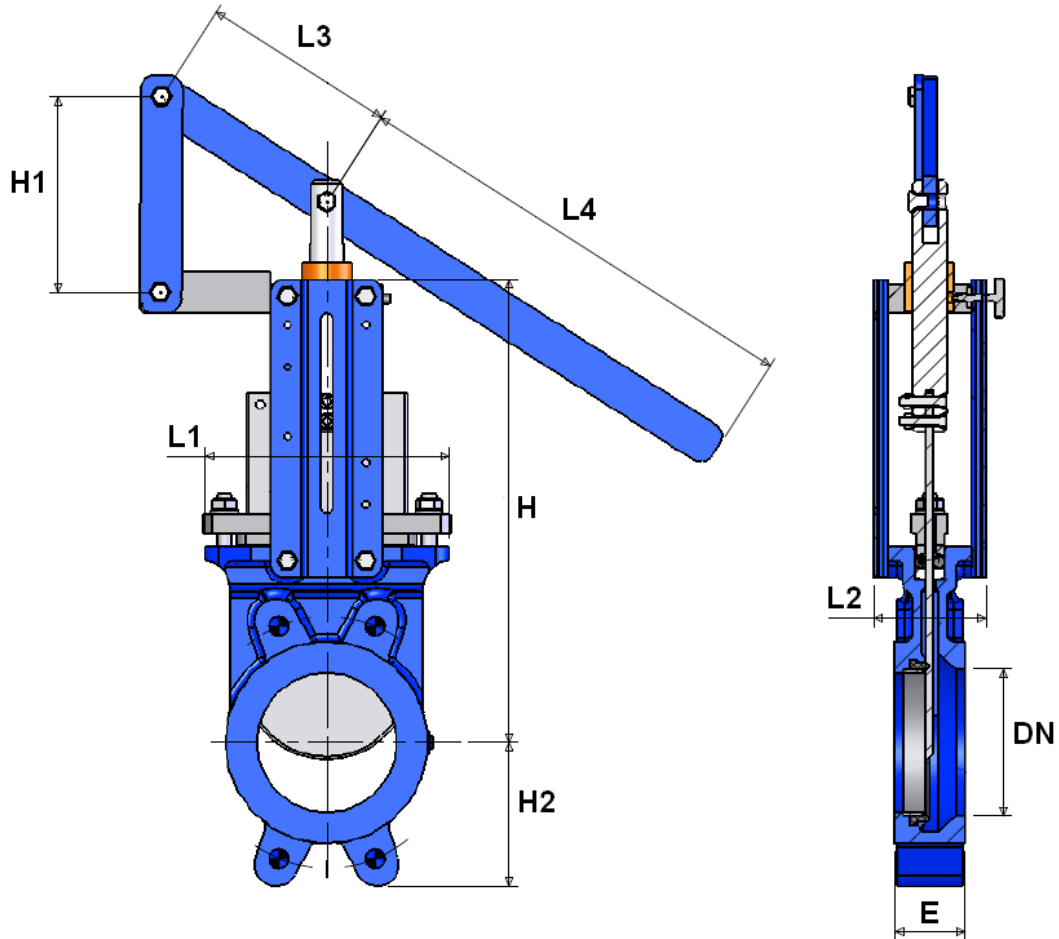
REF.170-171-172 + 980179 ()::



| DN | 50 | 65 | 80 | 100 | 125 | 150 | 200 | 250 | 300 | 350 | 400 | 450 | 500 | 600 |
|-------------------------------|------|------|------|------|------|------|------|------|------|-------|-------|-------|-------|-------|
| E | 40 | 40 | 50 | 50 | 50 | 60 | 60 | 70 | 70 | 96 | 100 | 106 | 110 | 110 |
| H | 289 | 316 | 342 | 382 | 415 | 458 | 575 | 676 | 776 | 906 | 1012 | 1098 | 1210 | 1416 |
| H1 | 409 | 436 | 462 | 502 | 585 | 637 | 815 | 1016 | 1116 | 1336 | 1442 | 1628 | 1740 | 2046 |
| H2 | 63 | 70 | 92 | 105 | 120 | 130 | 160 | 198 | 234 | 256 | 292 | 308 | 340 | 400 |
| L1 | 124 | 139 | 154 | 174 | 192 | 217 | 270 | 326 | 380 | 438 | 493 | 546 | 620 | 714 |
| L2 | 92 | 92 | 92 | 92 | 102 | 102 | 119 | 119 | 119 | 290 | 290 | 290 | 290 | 290 |
| Ø V | 212 | 212 | 212 | 212 | 212 | 212 | 296 | 296 | 296 | 482 | 482 | 482 | 482 | 482 |
| . Ref.170 171 + 980179 () | 11.4 | 12 | 13.4 | 14.7 | 17.6 | 21 | 34.3 | 51 | 65 | 122.5 | 146.5 | 184.5 | 224.5 | 312.5 |
| . Ref.172 + 980179 () | 11.4 | 12.7 | 13.4 | 14.9 | 17.6 | 20.7 | 35.3 | 52.1 | 66.1 | 124.5 | 164.5 | - | - | - |

PN10

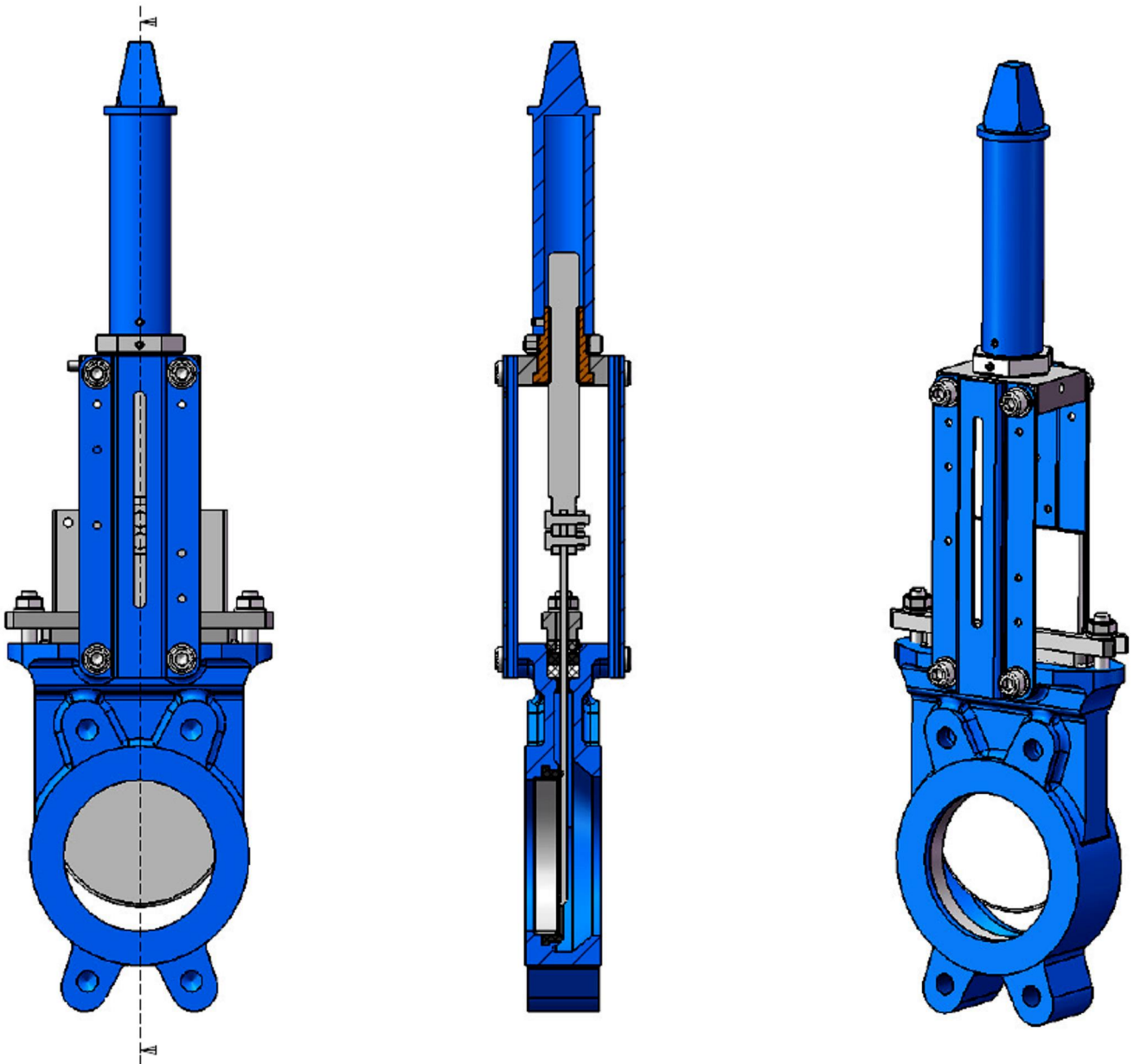
REF.170-171-172 + 980178 ():



| DN | 50 | 65 | 80 | 100 | 125 | 150 | 200 | 250 | 300 |
|-------------------------------------|-----|-----|-----|------|-----|------|------|------|------|
| E | 40 | 40 | 50 | 50 | 50 | 60 | 60 | 70 | 70 |
| H | 240 | 265 | 290 | 335 | 373 | 424 | 533 | 625 | 732 |
| H1 | 125 | 125 | 125 | 125 | 170 | 170 | 190 | 285 | 285 |
| H2 | 63 | 70 | 92 | 105 | 120 | 130 | 160 | 198 | 234 |
| L1 | 124 | 139 | 154 | 174 | 189 | 220 | 275 | 326 | 380 |
| L2 | 83 | 83 | 83 | 83 | 93 | 93 | 108 | 108 | 108 |
| L3 | 140 | 140 | 140 | 140 | 140 | 140 | 230 | 230 | 230 |
| L4 | 340 | 340 | 340 | 340 | 440 | 440 | 640 | 680 | 680 |
| . REF.170,171 172+ 980178 () | 8.9 | 9.8 | 11 | 13.3 | 16 | 18.9 | 32.9 | 53.6 | 67.3 |

PN10

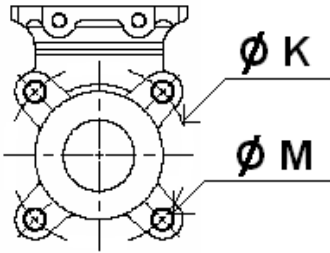
() REF.170-171-172 + 98022 ():



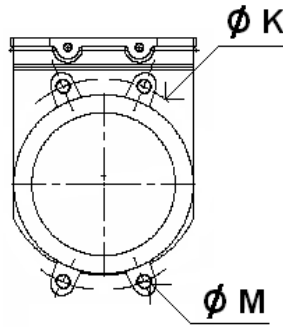
PN10

(*ISO PN10*):

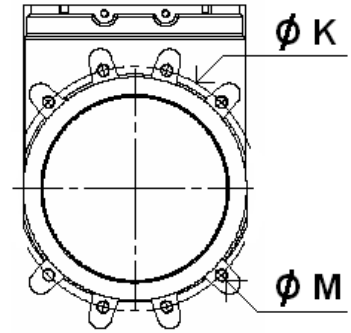
DN 50 Æ 65



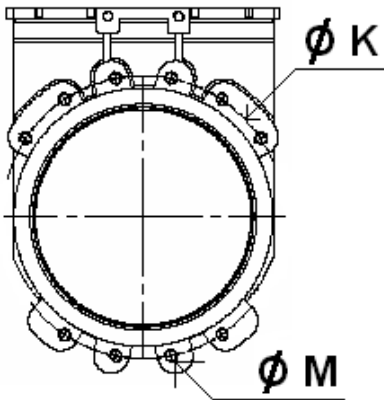
DN 80 Æ 200



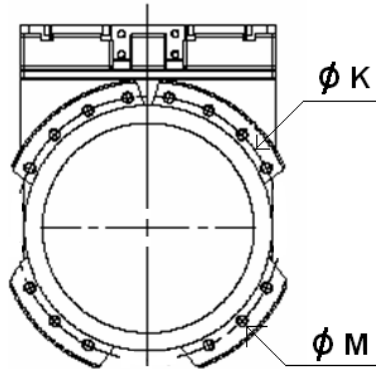
DN 250 - 300



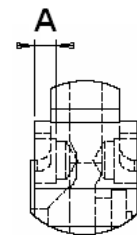
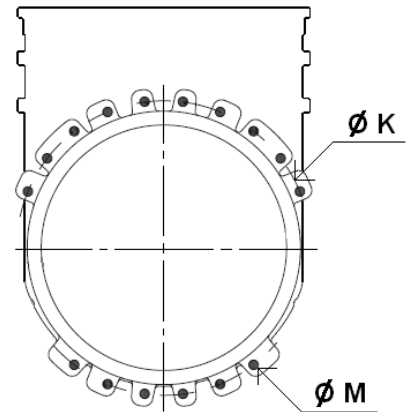
DN 350 Æ 400



DN 450 Æ 600



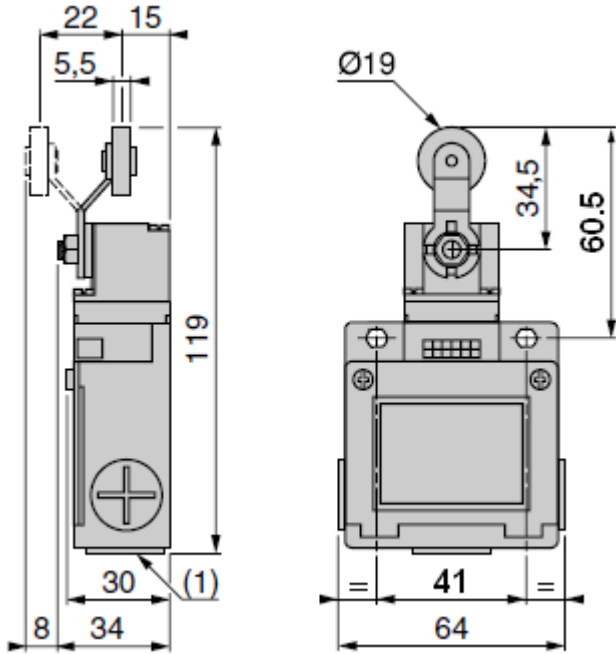
DN 700-800



| DN | 50 | 65 | 80 | 100 | 125 | 150 | 200 | 250 | 300 | 350 | 400 | 450 | 500 | 600 | 700 | 800 |
|-----|-----|-----|-----|-----|-----|-----|-----|-----|-----|-----|-----|-----|-----|-----|-----|-----|
| Ø K | 125 | 145 | 160 | 180 | 210 | 240 | 295 | 350 | 400 | 460 | 515 | 565 | 620 | 725 | 840 | 950 |
| Ø M | M16 | M16 | M16 | M16 | M16 | M20 | M20 | M20 | M20 | M20 | M24 | M24 | M24 | M27 | M27 | M30 |
| - | 4 | 4 | 4 | 4 | 4 | 4 | 4 | 8 | 8 | 10 | 10 | 14 | 14 | 14 | 16 | 16 |
| A | 8 | 8 | 10 | 10 | 10 | 12 | 12 | 15 | 15 | 19 | 20 | 24 | 24 | 22 | 22 | 20 |

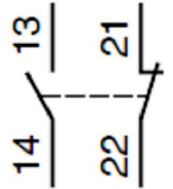
PN10

() :



(XE2S P2151)

O + C



- ISO PN10 EN 1092-2 PN10
- 97/23/CE: (3, § 3)
- ISO 5208

: SFERACO

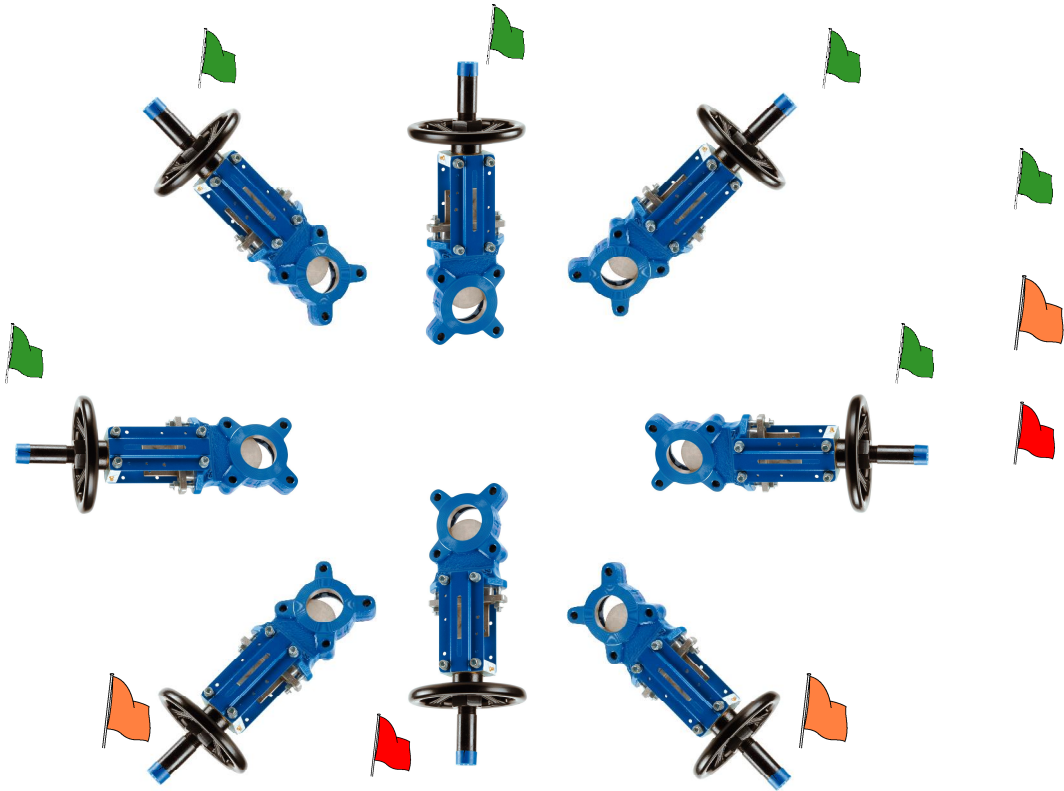
PN10

_____ :

- (, ,). ,
- , ,
- ,
- , ().

_____ :

- (,),
- , ((,))
- , (,) ,
- , , ,
- , ,
- ,
- ,



PN10

_____ (_____):

-
-

-
-
-
-

12266-1.

-
-
-
-

EN

1