

BALL VALVES

0210EN December 2013

**BALL VALVES FOR THE CONNECTION OF CIRCULATORS AND MIXING VALVES.
R252 SERIES**



GIACOMINI
WATER E-MOTION



R252

Description

Ball valve with nut, for connection of circulators and mixing-valves.

Versions and product codes

Product code	Connections
R252Y001	1"F x 1/2"F nut
R252Y002	1 1/4"F x 2"F nut

Technical data

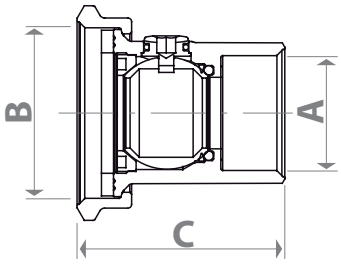
Main features and materials

- Connections: F x F nut (ISO 228).
- Body and nut in UNI EN 12165 CW617N brass.
- Gaskets in EPDM.
- O-ring in EPDM.

Field of application

- Max. working pressure: 7 bar
- Static pressure seal: 40 bar (with valve completely open or closed)
- Temperature range: 5÷110 °C

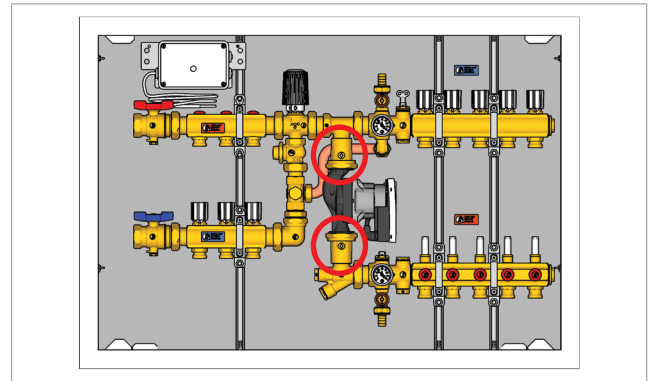
Dimensions



Product code	A	B	C [mm]
R252Y001	1"	1 1/2"	53
R252Y002	1 1/4"	2"	66,5

Example of installation

Installation with circulator in distribution manifold



Product specifications

R252

Ball valves with nut, for connections of circulators and mixing valves. Made of UNI EN 12165 CW617N brass. Gaskets in EPDM. Max. working pressure: 7 bar. Static pressure seal: 40 bar (with valve completely open or closed). Temperature range: 5÷110 °C.



Additional information

For additional information please check the website www.giacomini.com or contact the technical service: ☎ +39 0322 923372 📠 +39 0322 923255 ✉ consulenza.prodotti@giacomini.com
This pamphlet is merely for information purposes. Giacomini S.p.A. retains the right to make modifications for technical or commercial reasons, without prior notice, to the items described in this pamphlet. The information described in this technical pamphlet does not exempt the user from following carefully the existing regulations and norms on good workmanship.
Giacomini S.p.A. Via per Alzo, 39 - 28017 San Maurizio d'Opaglio (NO) Italy